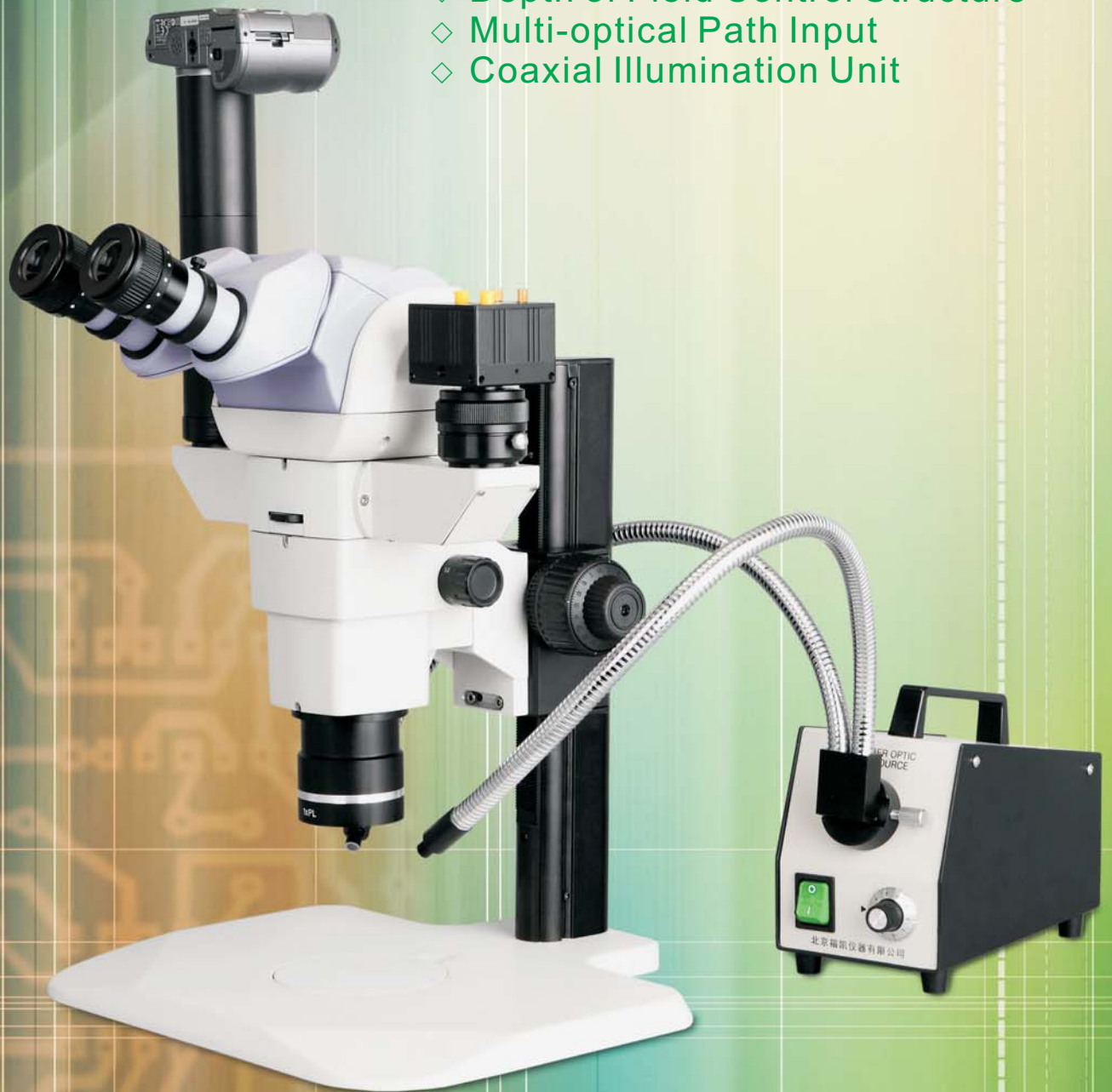


- ◇ Galileo Parallel Optical System
- ◇ Blocks Structure
- ◇ Inclined Adjustment
- ◇ Coaxial Coarse and Fine Focusing
- ◇ Depth of Field Control Structure
- ◇ Multi-optical Path Input
- ◇ Coaxial Illumination Unit



SZ66 Research Stereo
Microscope

Parallel Optical Path

- ◇Galileo Optical System
- ◇Left and Right Parallel Optical Path
- ◇Non-coaxial Image
- ◇Definition of Field Edge is same with Field Center
- ◇Zoom Ratio: 1:6.6,
Objective Zoom Range: 0.68X-4.5X
- ◇Wide Field, Object Field Angle $2\omega = 20^\circ$ (Max)
- ◇Stereo Field Angle Wide, Stereo Visual Strong
- ◇Image Level Clear, Color Reduction Realistic

Sz66 with double optical fiber LED illumination unit



Blocks Structure

Camera, Photo, Coaxial illumination and Iris Aperture are put into the main optical path, and camera and photograph can be connected at the same time to observe a same image asynchronously.

Incline Adjustment

- ◇Head incline is adjustable from 0–30° to ensure the comfortable position.
- ◇180°rotation for eyepiece tube

Depth of Field Control Structure

Change the aperture of optical path by iris aperture knob to larger the depth of field and improve the image clear.



Depth of field control iris Aperture

Multi-optical Path output

- ◇One side optical path distribution: 50:50
- ◇Double side optical path distribution: 50:50,
two different images output equipment can be Used at the same time.

Coaxial Illumination Unit

LED cold lighting fiber connecting coaxial illumination unit ensures the illumination in the filed uniform and prevent the





Coaxial coarse and fine focusing unit



SZ66 with coaxial illumination unit



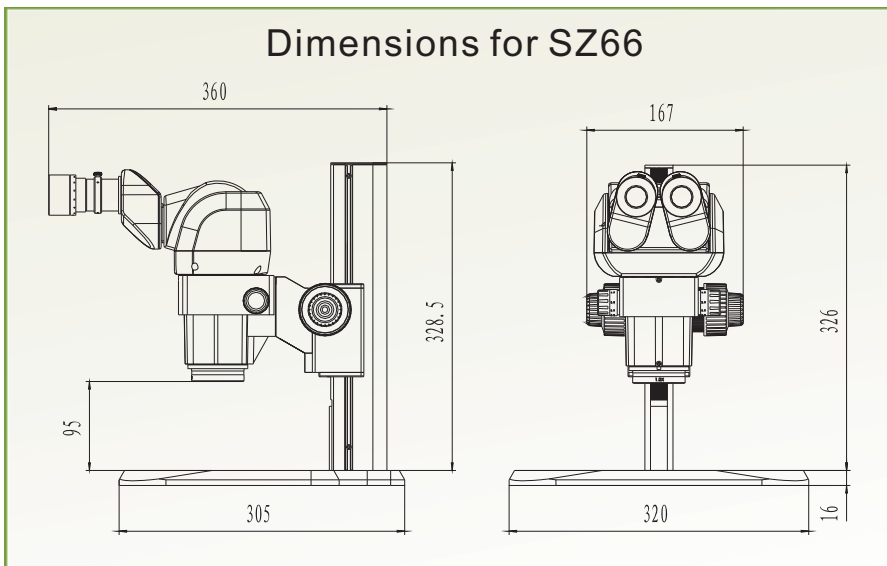
Diopter adjustable and high point wide eyepiece



Achromatic and Plan achromatic objectives



Head incline is adjustable from 0-30 , 180° rotation for eyepiece tube, eye point improved to 80mm.



CFM-SZ66 Research Stereo Microscope Outfits

Item	Specification	Outfits	Order No.	
Objective Body	Galileo optical system, Left and right parallel optical path, Non-coaxial image, Zoom range: 0.68X-4.5X	●	SZ101101	
Tube	Head incline is adjustable from 0°-30°, 180° outside rotation and higher eye point to 80mm, Eyepiece locked ring	●	SZ102201	
Focusing System	Coaxial coarse and fine focusing system, Coarse stroke 240mm, Fine division 0.002m	Without illumination	●	SZ109101
		With 12V/15W halogen reflecting illumination	○	SZ109102
Eyepiece (Diopter Adjustable)	WF10X/23mm	●●	SZ-10X	
	WF10X/23mm (Reticule, X axis: 0.1mm/100 division)	○	SZ-10X101	
	WF10X/23mm (Reticule, X axis: 0.05mm/200 division)	○	SZ-10X102	
	WF10X/23mm (Grid, X axis: 0.1 X 0.1mm/100 division)	○	SZ-10X103	
	WF16X/14mm	○	SZ-16X	
	WF20X/12mm	○	SZ-20X	
	WF25X/9mm	○	SZ-25X	
Objective	WF30X/8mm	○	SZ-30X	
	0.3X achromatic objective (W.D=328.93mm)	○	SZ-0.3X	
	0.5X achromatic objective (W.D=197.19mm)	○	SZ-0.5X	
	0.7X achromatic objective (W.D=148.00mm)	○	SZ-0.7X	
	1X achromatic objective (W.D=93.87mm)	●	SZ-1.0X	
	1X plan achromatic objective (W.D=84.92mm)	○	SZ-1.0XPL	
	1.5X achromatic objective (W.D=46.69mm)	○	SZ-1.5X	
2X achromatic objective (W.D=34.04mm)	○	SZ-2.0X		
Image Output Unit	One side image output unit	○	SZ-TR	
	Double sides image output unit	○	SZ-TRS	
Coaxial Illumination Unit	1W/LED illumination unit	○	SZ-TZLED/1W	
	Single soft optical fiber 5W/LED cold light unit, Fiber length: 550mm, Light passed diameter: 8mm	○	SZ-TZLED/5W	
Base	Standard base (without illumination)	●	SZ108102	
	Transmitting illumination base, output: 3W/LED adjustable cold lighting	○	TS106104	
C-mount	0.35X C-mount	○	SZ-0.35XC	
	1X C-mount	○	SZ-1XC	
Adaptor for Digital Camera		○		
Optical Fiber Cold Lighting Unit (5W/LED)	Ring soft optical fiber cold lighting unit, Fiber length: 550mm, Light passed diameter: 8mm	○	LGY-R/LED	
	Double hard optical fibers cold lighting unit, Fiber length: 550mm, Light passed diameter: 8mm	○	LGY-D/LED	
	Single soft/hard optical fiber cold lighting unit, Fiber length: 550mm, Light passed diameter: 8mm	○	LGY-S/LED	
Optical Fiber Cold Lighting Unit (150W/Halogen)	Ring soft optical fiber cold lighting unit, Fiber length: 550mm, Light passed diameter: 8mm	○	LGY-R	
	Double hard optical fibers cold lighting unit, Fiber length: 550mm, Light passed diameter: 8mm	○	LGY-D	
	Single soft/hard optical fiber cold lighting unit, Fiber length: 550mm, Light passed diameter: 8mm	○	LGY-S	

Note: "●" In Table Is Standard Attachment. "○" Is Optional Accessories