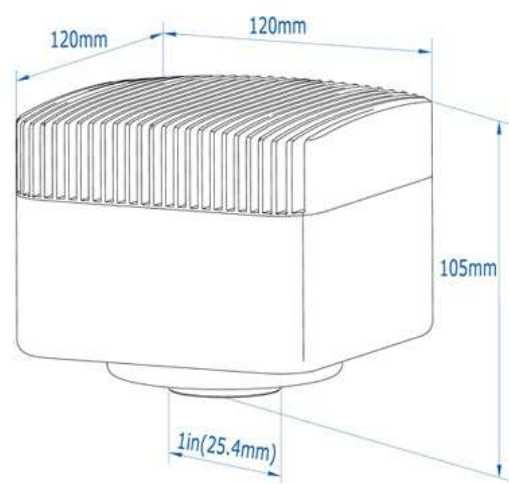
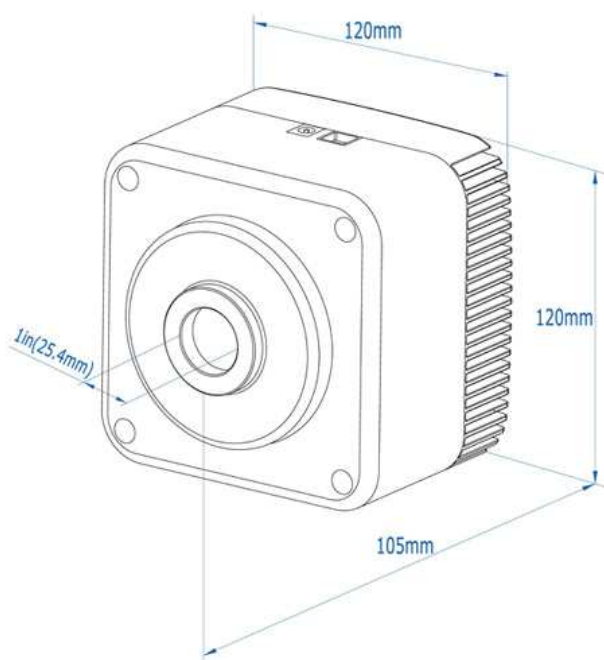




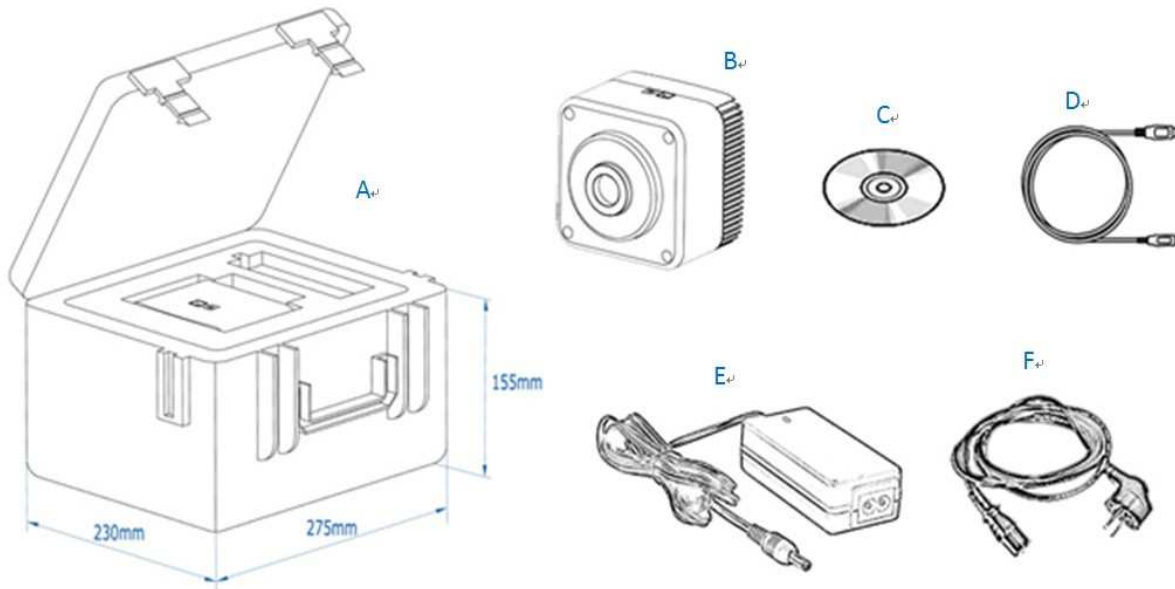
SCCCD01400KPB Caméra refroidie Couleur



HARDWARE CONFIGURATION	
Image Pickup Device	SONY ICX205AK CCD(Color)
Scan Mode	Progressive
Max. Resolution	1360 x 1024 (Approx. 1,400,000 Pixels)
Sensor Size (Diagonal)	1/2" (Diagonal 7.959mm)
Pixel Size	4.65µm x 4.65µm
Imaging Area	7.60mm(H) x 6.20mm(V)
G Sensitivity	400mV with 1/30s Accumulation
Dynamic Range	70dB
A/D Converter	12-bit Parallel, 8-bit R.G.B to PC
SN Ratio	62dB
Spectral Range	380-650nm (with IR-filter)
Video Format & Frame Rate	15fps @1360 x 1024(Multiple Speed Level)
Binning	1 x 1
Exposure	0.12ms~240s, ROI Auto & Manual
White balance	ROI White Balance/ Manual Temp-Tint Adjustment
Color Rendering Technique	Ultra Fine Color Engine
Peak Quantum Efficiency	35%
Readout Noise	N/A
Extinction Ratio	N/A
Smear	N/A
Capture/Control API	Native C/C++, C#, Directshow, Twain, Labview
Recording System	Still Picture and Movie
Cooling System*	TE-Cooled CCD - 20 °C below Ambient Temperature
OPERATING ENVIRONMENT	
Operating Temperature	-10°C~ 50°C
Storage Temperature	-20°C~ 60°C
Operating Humidity	30~80%RH
Storage Humidity	10~60%RH
Power Supply	DC 5V over PC USB Port
SOFTWARE ENVIRONMENT	
Operating System	Support Microsoft Windows XP / Vista / 7 / 8 (32 & 64 bit) OS X (Mac OS X), Linux
PC Requirements	CPU: Equal to Intel Core2 2.8GHz or Higher
	Memory: 2GB or More
	USB port: USB2.0 High-speed Port
	Display: 17" or Larger CD-ROM



Packing Information for SCCCD01400KPB



Packing information

A: 3-A Safety Equipment Case: L:27.5cm W:23.0cm H:15.5cm (1pcs, 3.9Kg/ box)

B: Camera(C-Mount)

C: CD (Driver & Utilities Software, Ø12cm)

D: High-Speed USB2.0 A Male to B Male Gold-Plated Connectors Cable /1.8m

E: Power Adaptor: Input: AC 100~240V 50Hz/60Hz, Output: DC 5V 4.5A

F: Power Cord

G: Manual(For environmental protection, some models may use the PDF documents instead of printed papers)