



MAT300/500 Metallurgical Microscope

- Oversize view field eyepiece, view field up to 22mm for comfortable observation.
- Trinocular head with dual transform.

Light distribution (both): 100: 0 (100% for eyepiece)

80:20 (80% for trinocular head and 20% for eyepiece)





MAT300



MAT500



- Stage with fast lowering unit can increase 50mm for working distance, more convenient for observing big size sample.
- Oversized three-layer mechanical stage provides more choice for samples.



1. Polarizer 2. Filter switch handle 3. Field diaphragm 4. Aperture diaphragm
 A. Analyzer B. Ground glass slider

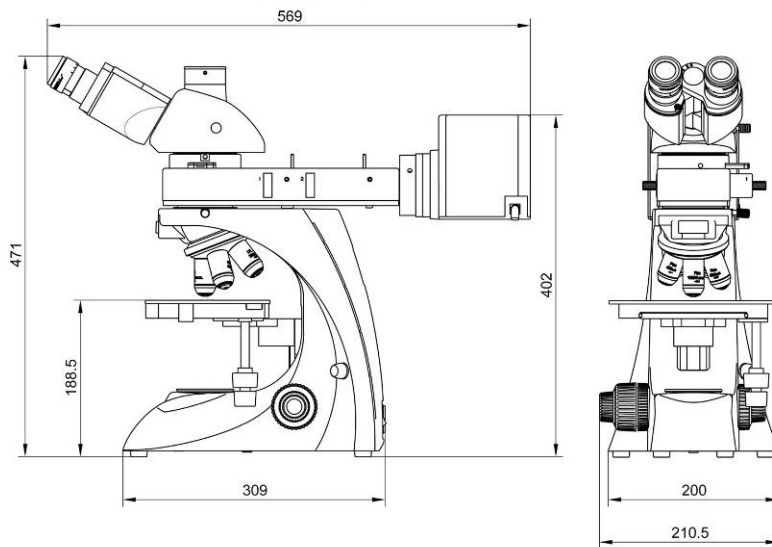
Objective Specification: ("●" Is Standard outfits, "○" Is Optional Accessories)

Objective	N.A.	Working distance (mm)	Outfits
LPL 5×	0.13	24.23	●
LPL 10×	0.25	18.48	●
LPL 20×	0.40	8.35	●
LPL 40×	0.66	3.90	○
LPL 50× (S)	0.70	1.95	●
LPL 80× (S)	0.80	0.85	○
LPL100×(S)	0.90	1.00	○

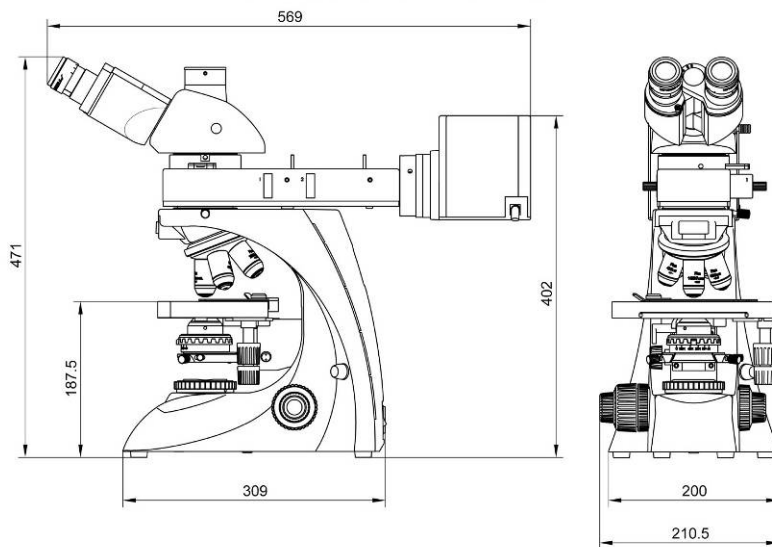
● Metallurgical LWD Infinity Plan Objective



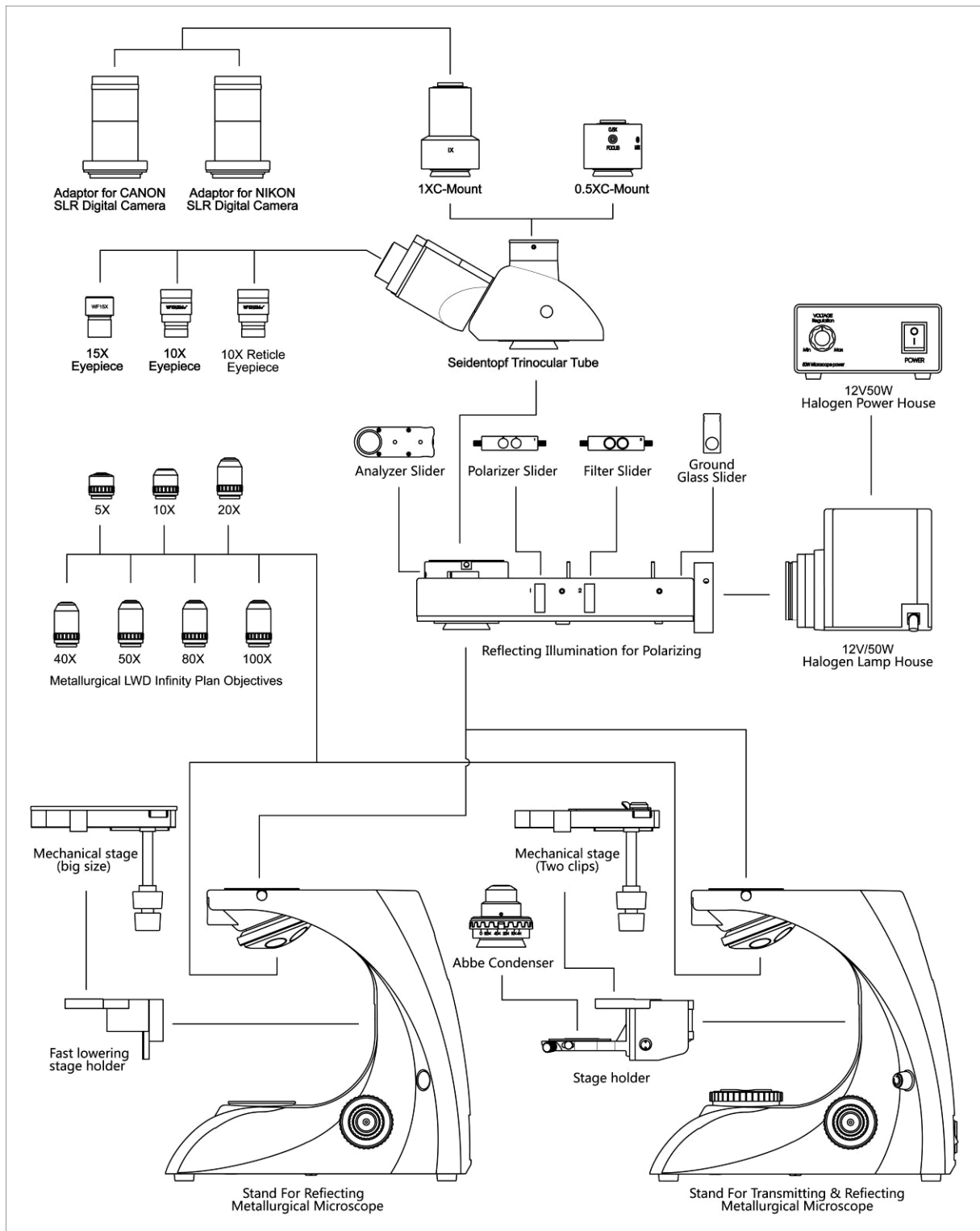
MAT300 Metallurgical Microscope Size(mm)



MAT500 Metallurgical Microscope Size(mm)



MAT300/500 Metallurgical Microscope General Layout Diagram



MAT300/500 Metallurgical Microscope Outfits

Item	Specification	MIT300	MIT500
Eyepiece	WF10X / 22mm (adjustable)	●	●
	WF10X / 22mm (adjustable, reticule 0.1mm)	●	●
Metallurgical LWD Infinity Plan Objective	5X / 0.10 W.D=24.23mm	●	●
	10X / 0.25 W.D=18.48mm	●	●
	20X / 0.40 W.D=8.35mm	●	●
	40X / 0.65 W.D=3.90mm	○	○
	50X / 0.70(S) W.D=1.95mm	●	●
	80X / 0.80(S) W.D=0.85mm	○	○
	100X / 0.60(S) W.D=1.00mm	○	○
Seidentopf Trinocular Head	Inclined 30°, rotatable 360°, Interpupillary distance: 48mm~76mm Light distribution (both): 100:0 (100% for eyepiece) 80:20 (80% for trinocular head and 20% for eyepiece)	●	●
Nosepiece	Quintuple	●	●
Mechanical Stage	Stage size: 200mm x 150mm Travel range: 77mm x 52mm Stage fast lowering unit: Up-Down moving range can be increased 50mm.	●	
	Stage size: 182mm x 140mm, Travel range: 77mm x 52mm Two slid holder, Metal plate size: 200mm x 150mm		●
Polarizing Unit	Polarizer /Analyzer	●	●
Condenser	Abbe N.A.1.25, with Iris Diaphragm.		●
Coaxial Coarse and Fine Focusing Unit	Coarse stroke: 25mm, Fine stroke per rotation: 0.2mm, fine division 2 μm, Tightness adjustment, upper distance limiter.	●	●
Reflecting Illumination	12V/50W Halogen lamp (Input voltage: 100V~240V), Field diaphragm	●	●
Transmitting Illumination	6V/20W Halogen lamp (Input voltage: 100V~240V), Field diaphragm, Center adjustable.		●
Filter	Blue	●	●
	Green	○	○
	Amber	○	○
	Grey	○	○
C-Mount	0.57X(Focus Adjustable)	○	○
	1 X	○	○

Note: "●" In Table Is Standard outfits, "○" Is Optional Accessories.

Packing Size: 750mm × 360mm × 450mm

Gross Weight: 16 kgs

Net Weight: 12kgs